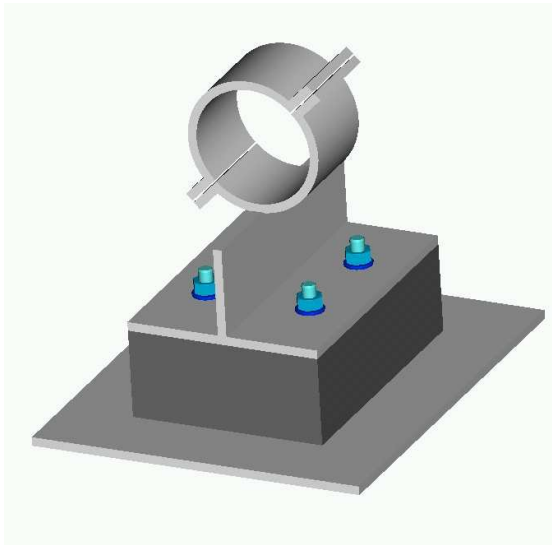




CRYOGENIC SERVICE BLOCK

EME-CB.../150 2" - 6"



Shock absorption, noise reduction & cold insulation is provided by using the Eslin backing material.

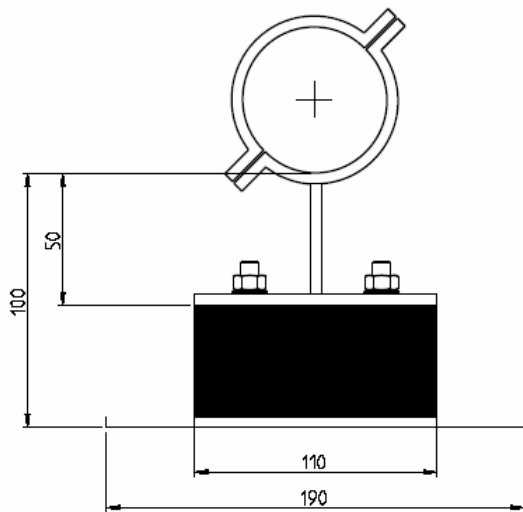
Field of application: cryogenic pipelines.

Materials

Eslin 60 A/VD (suitable from -100 up to +100 °C)
Steel base plate and pipe shoe: S235, S355, AISI 304, AISI 316 depending on operating temperature pipeline.

Modification

The Eslin block can be modified to suit your project working compression loads and shear loads for best noise reduction capacity.

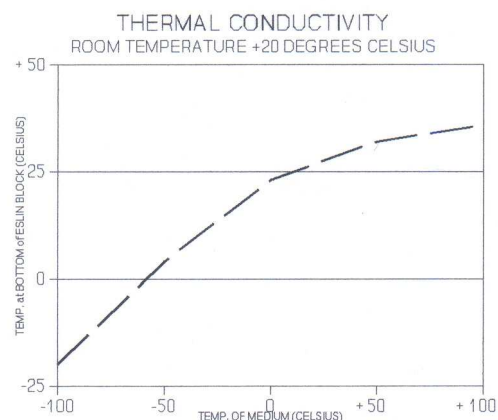
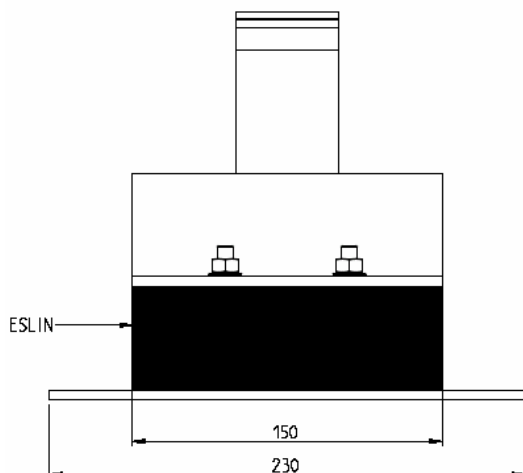


Part Number	NPS	Max. load (kg)	Max. up-lift load (kg)
<i>EME-CB-050/150</i>	2"	1000	1200
<i>EME-CB-080/150</i>	3"	1000	1200
<i>EME-CB-100/150</i>	4"	1000	1200
<i>EME-CB-125/150</i>	5"	1000	1200
<i>EME-CB-150/150</i>	6"	1000	1200

Maximum shear force load (all sizes): 400 kg
Maximum shear displacement (all sizes): 4 mm

Stud bolts: M16 grade 8.8

Other sizes or thicknesses upon request

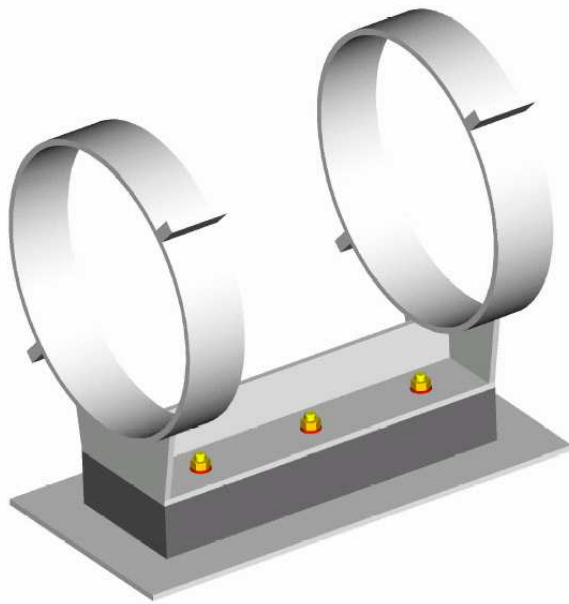


Issue 2008



CRYOGENIC SERVICE BLOCK

EME-CB.../300 8" - 24"



Shock absorption, noise reduction & cold insulation is provided by using the Eslin backing material.

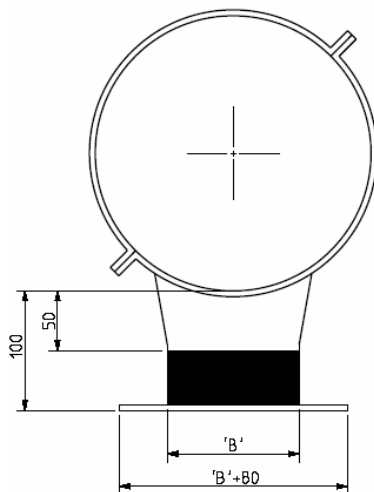
Field of application: cryogenic pipelines.

Materials

Eslin 60 A/VD (suitable from -100 up to +100 °C)
Steel base plate and pipe shoe: S235, S355, AISI 304, AISI 316 depending on operating temperature pipeline.

Modification

The Eslin block can be modified to suit your project working compression loads and shear loads for best noise reduction capacity.

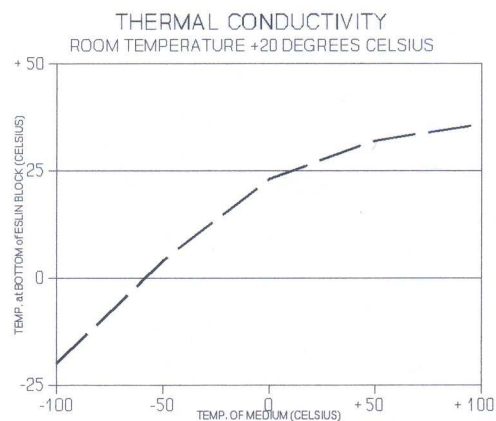
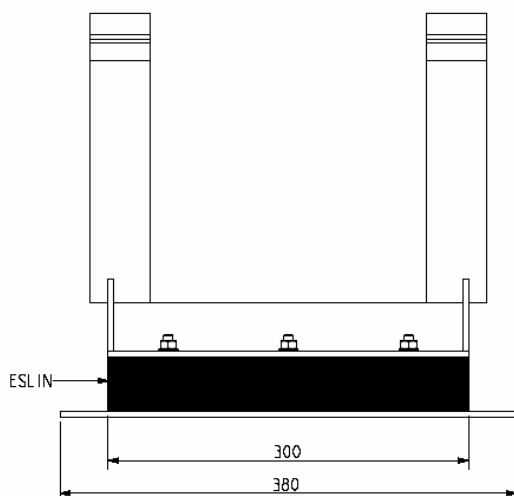


Part Number	NPS	'B'	Max. load (kg)	Max. up-lift load (kg)	Max. Shear Load (kg)
EME-CB-200/300	8"	110	4000	2500	800
EME-CB-250/300	10"	170	5600	4200	1300
EME-CB-300/300	12"	170	8500	4200	1300
EME-CB-350/300	14"	220	9000	5600	1800
EME-CB-400/300	16"	220	11000	5600	1800
EME-CB-450/300	18"	220	14000	5600	1800
EME-CB-500/300	20"	220	18000	5600	1800
EME-CB-600/300	24"	220	25000	5600	1800

Maximum shear displacement (all sizes): 4 mm

Stud bolts: M16 grade 8.8 for 8";
M20 grade 8.8 for 10"- 24"

Other sizes or thicknesses upon request



Issue 2008